

RTRC RTA V3 SETUP-SHEET

V1.3

PERSONAL INFO

RACE

NAME

DATE

RACE INFO

CATEGORY

QUAL POSITION FINAL POSITION BEST LAP /sec

TRACK

SURFACE RCP CARPET

CONDITION BUMPY FLAT

LAYOUT TECH MIXED FAST

GRIP LOW MEDIUM HIGH

ELECTRONICS

MOTOR ESC

BATTERY SERVO

TIRES

FRONT		REAR
	RIMS	
	TIRES	
	DIAMETER /mm	
	SIDEWALL /mm	
	GLUE	
	OFFSET /mm	

GEARING

DIFF TYPE PINION

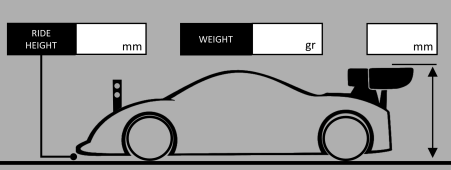
SPUR GEAR RATIO

BODY

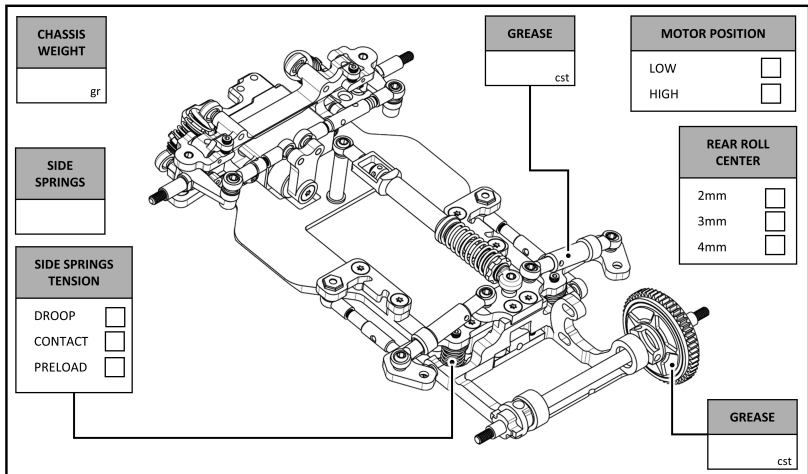
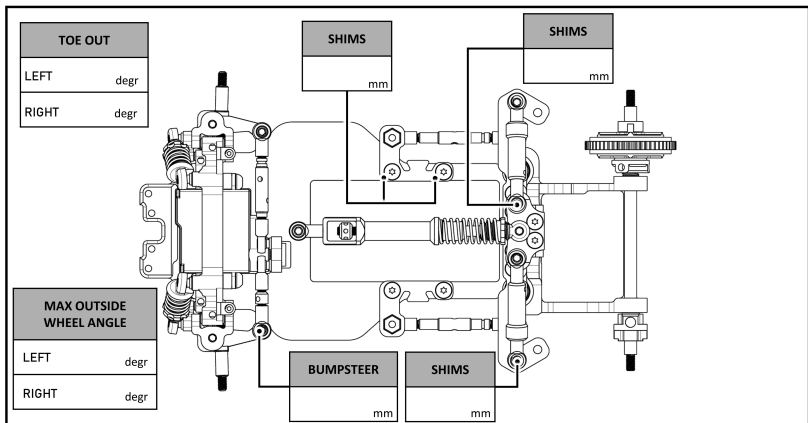
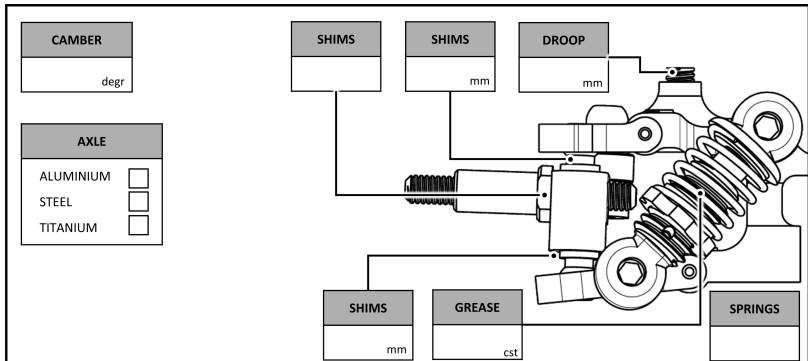
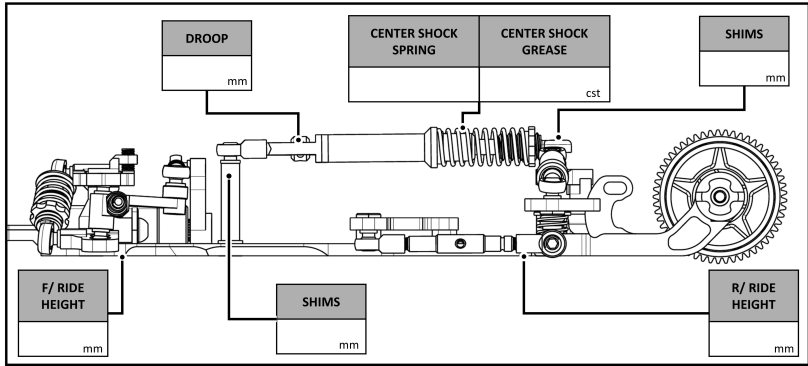
RISE HEIGHT mm

WEIGHT gr

mm



MODEL



NOTES: